

Mathers Hydraulics Technologies

Power Regeneration for Hybrid Truck Power



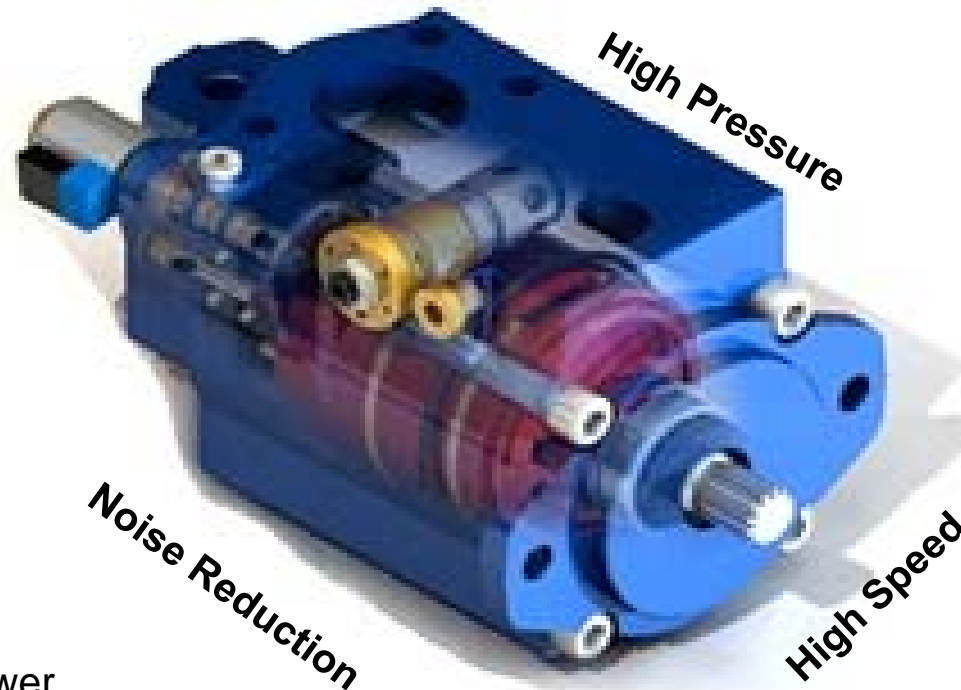
Overview

- Fuel Saving Vane Pump
- REPTO-Regen Explained
- Hybrid Truck Power Application
- Power Regeneration
 - Hybrid Truck Power
 - City Driving Data
 - Highway Driving Data
 - Hydraulic power storage and recovery data



Fuel Saving Vane Pump

The Heavy Duty Fuel Saving Vane Pump (FSV) is a hydraulic pump that can be switched on and off with an electrical signal or hydraulics pilot.



In applications like power steering it will save thousands of dollars in annual fuel bills and reduce greenhouse emissions.

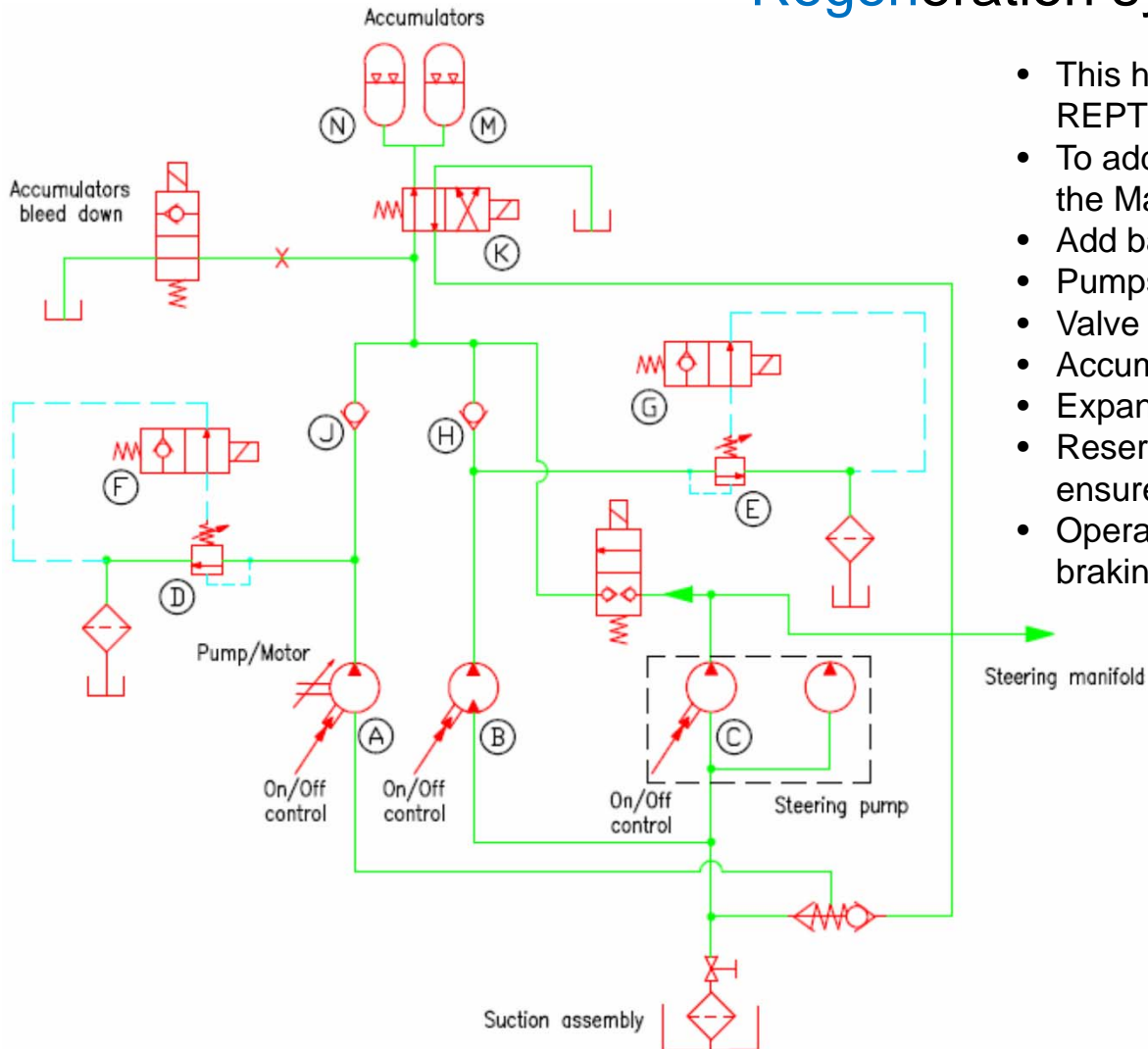
The high speed capacity enables the FSV to be direct "Line Drive" mounted, replacing existing wear prone power take off drives.

A measurable carbon reduction foot print for many industry applications.



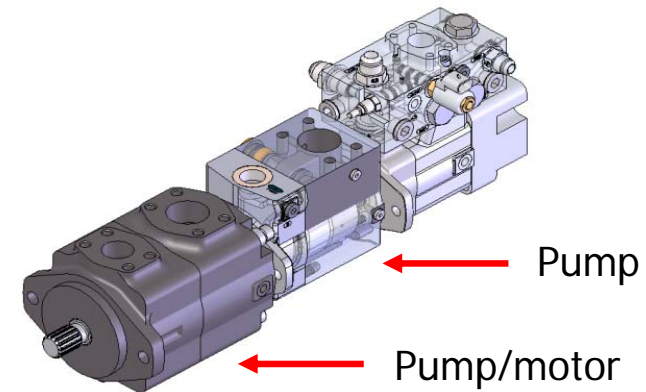
REPTO-REGEN Explained

Rear Engine Power Take Off mounted power Regeneration systems



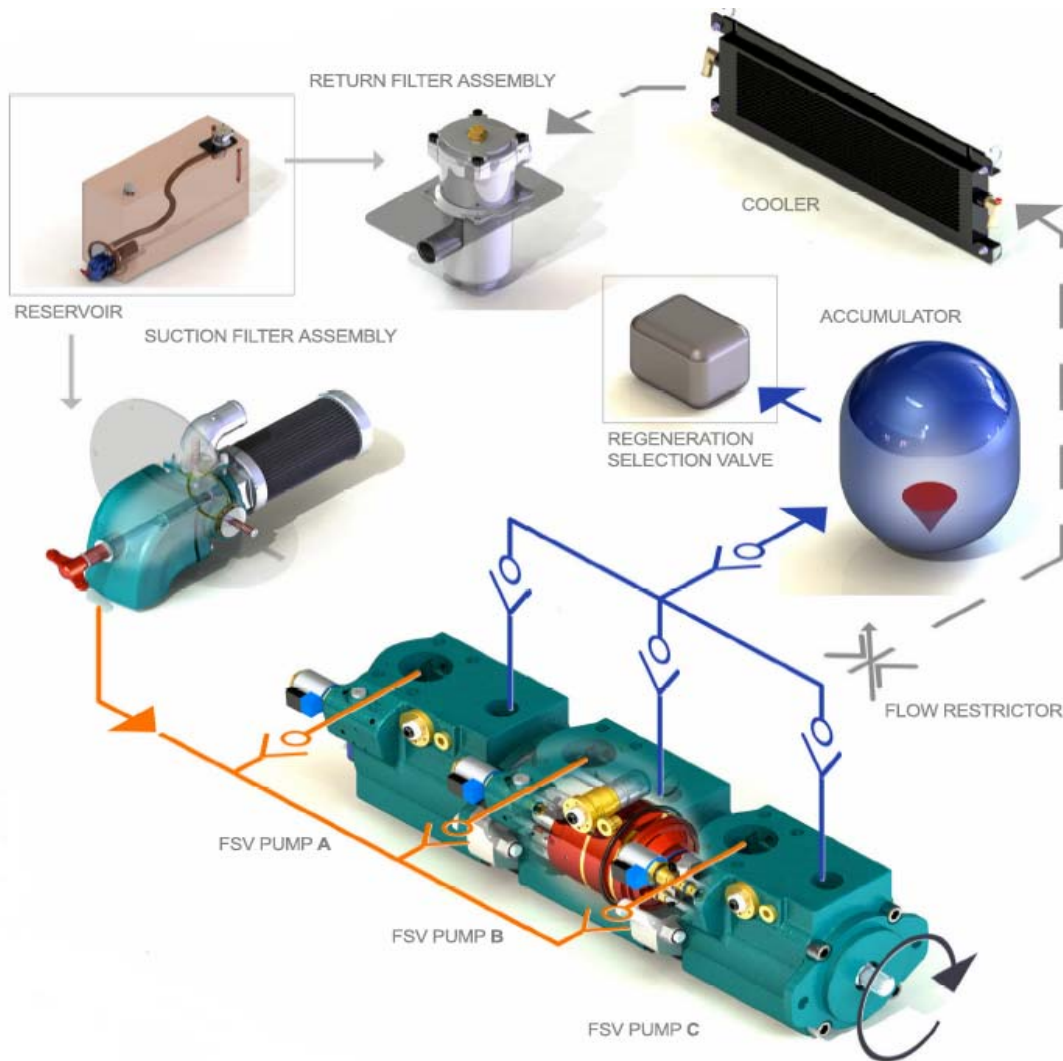
- This hydraulic schematic is a representation of how the Mathers REPTO-REGEN works in theory.
- To add low cost power regeneration on a Volvo or Mack Truck with the Mathers Tipper Stability System.
- Add bankable pumps A & B on REPTO drive.
- Pumps include valves D & E in their assembly.
- Valve block includes valves F,G,H,J & K.
- Accumulators M & N.
- Expand electronics.
- Reservoir suction assembly 2 positioned higher than 1 in reservoir to ensure adequate steering oil if a hose fails.
- Operation combination according to high braking or minimum braking:

A+B+C, A+B, A+C, A,B or C



Hybrid Truck Power Application

Hybrid Truck Power - REPTO-REGEN

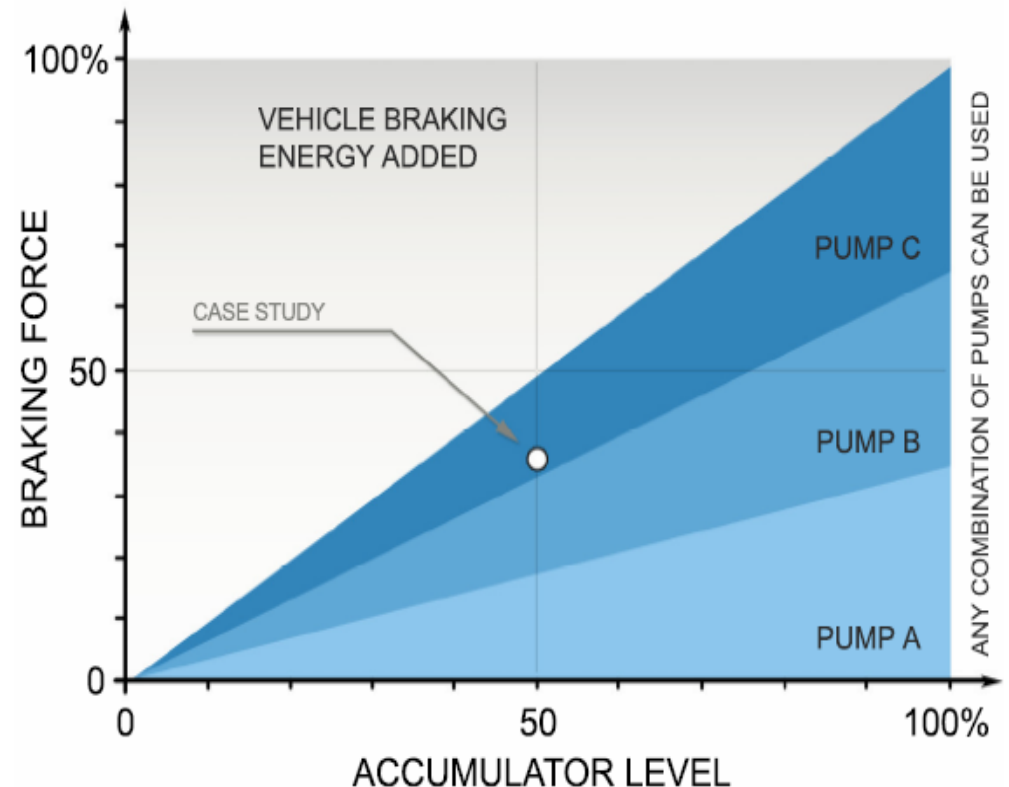


- Our proposal is to use 3 FSV pumps on the Rear Engine Power Take Off prior to the gearbox.
- Typical Analysis:
Pump A + B + C.
- Accumulator charged to 70 bar/1,000 PSI nitrogen
- Initial braking power:
Equals - A + B + C x 70 bar i.e. Volume x Pressure
- Assume in 3 pumps the volume was 600 litres per minute – the braking power starts at 120 HP.
- If we let the pressure rise to 210 bar or 3,000 PSI the braking is 360 HP.
- Braking occurs from 7 to 10 seconds in general.
- The captured energy helps re-acceleration to save fuel.

Hybrid Truck Power Application

Hybrid Truck Power

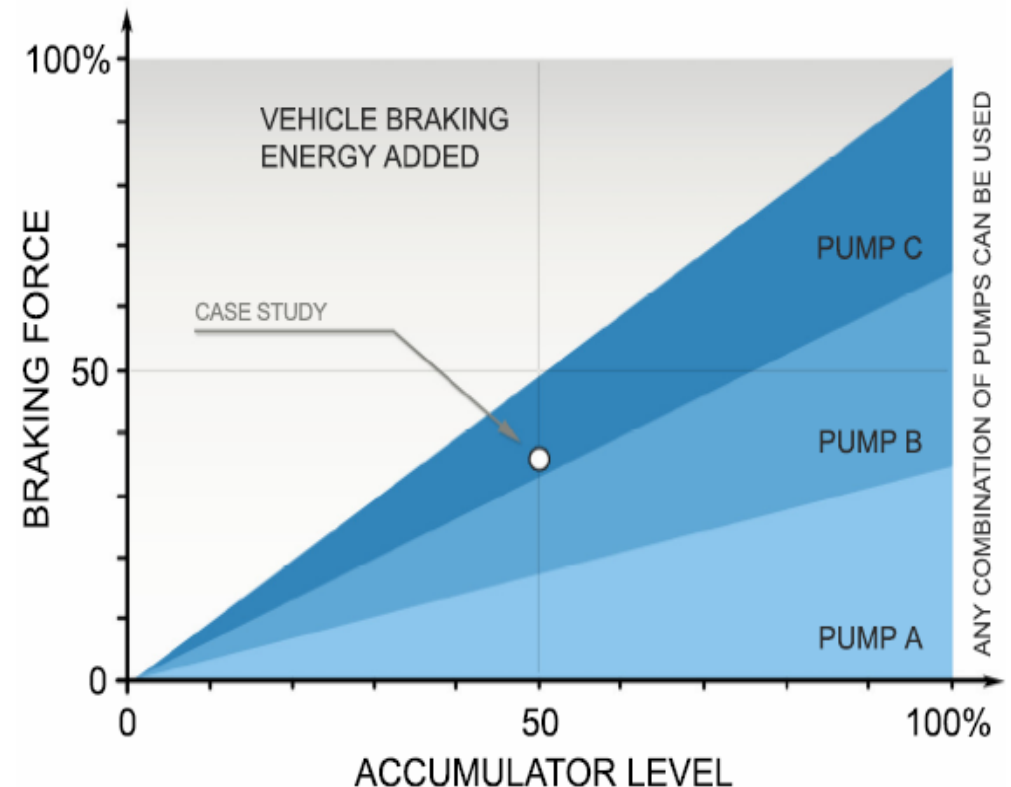
- While using the hydraulic regeneration system the mechanical or exhaust brakes can be added to the braking force to quicken deceleration – In power regeneration programs they work together.
- Tail shaft drop box regeneration systems, such as EATON HLA, have one advantage as they are an analogue system – IE: It is infinitely variable to adjust the braking power and is smooth.
- However:
 - There is the step-up gearbox, clutch and expensive heavy piston pump giving high cost and weight.
 - It cannot work over 40 KPH.
 - Has poor performance below 10 KPH as the piston pump shaft speed is low .
 - They work to 420 bar/6,000 PSI to try to accommodate these limitations.
 - The pump can not be used for any other function.
 - They have to carry separate oil reservoirs, as they need super clean oil – No steering, tipper etc, type hydraulic systems can share the special oil.



Hybrid Truck Power Application

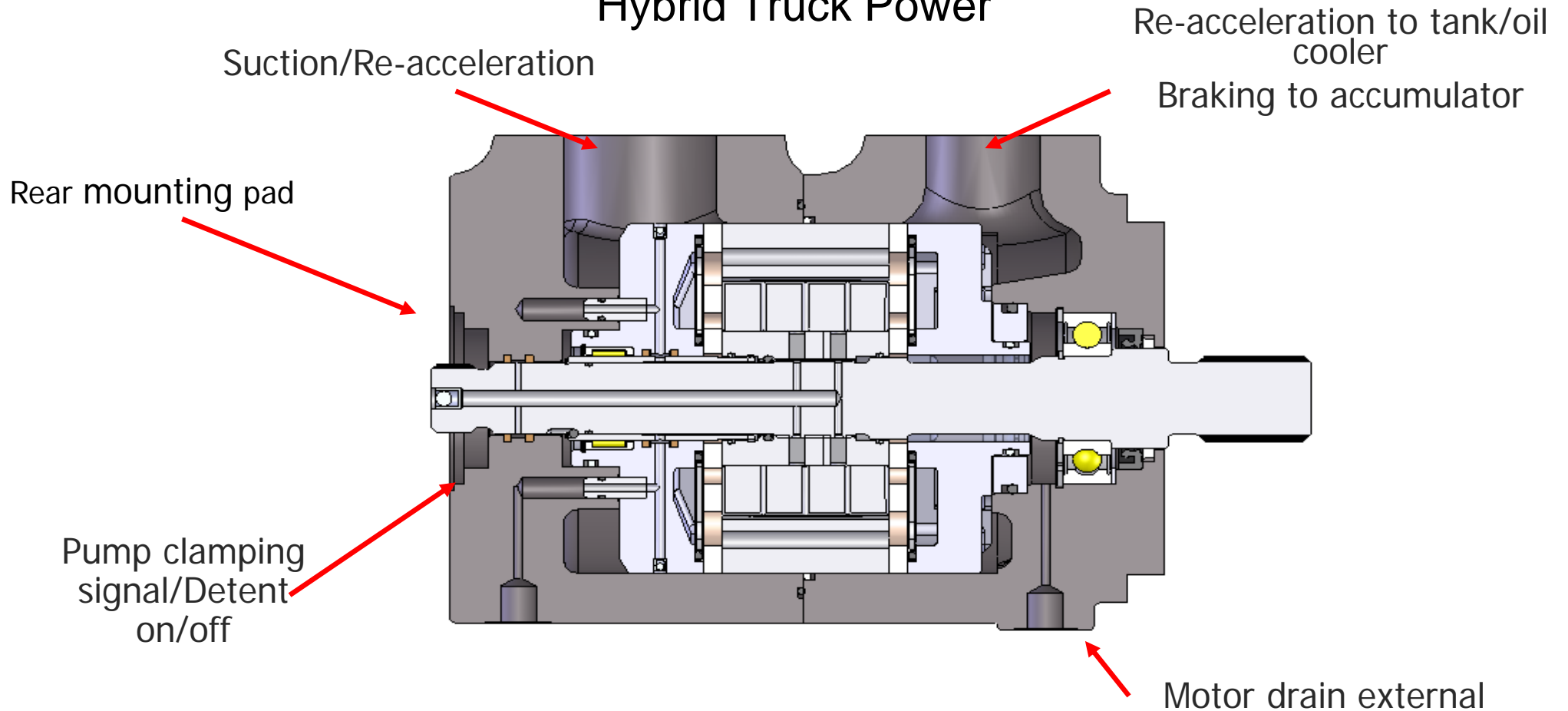
Hybrid Truck Power

- Our system is on the engine side of the gearbox and the pump/motors are running at close to optimum speeds regardless of road speed.
- The pumps can work to 100+ KPH and still act as brakes and regenerators.
- Our pumps can be used for tipper, steering, waste collection etc
- Three pumps give seven steps, and gearbox changes occur simultaneously for smooth operation
- Adding the on/off power steering pump gives four pumps and up to 25 steps in a digital mode, and at the same time the gearbox is changing gears again.
- Thus we can save and reuse more energy; save cost and save weight.
- On tippers/concrete agitators and the like, we already have an oil reservoir of considerable capacity.



Power Regeneration

Hybrid Truck Power



- Mathers designed vane pump/motor (MUMP) for the REPTO-REGEN system offers very high power density and value.
- This design is used to capture and re-use stored braking energy.



Power Regeneration

Hybrid Truck Power

On/Off Regeneration
/ retardation /
auxiliary flow

Motor inlet for
Reacceleration

Regeneration On/Off.
Discharge for
Reacceleration.

Rear Engine PTO
(Live Drive)

Pump Suctions

Power
Steering

Combination pump (dual
section)
with On/Off for back up
steering flow, additional
regeneration/retardation or
auxiliary flow for dumpers,
waste collection cranes etc.

Pump with On/Off for regeneration
/ retardation or auxiliary flow for
waste collection, cranes etc.

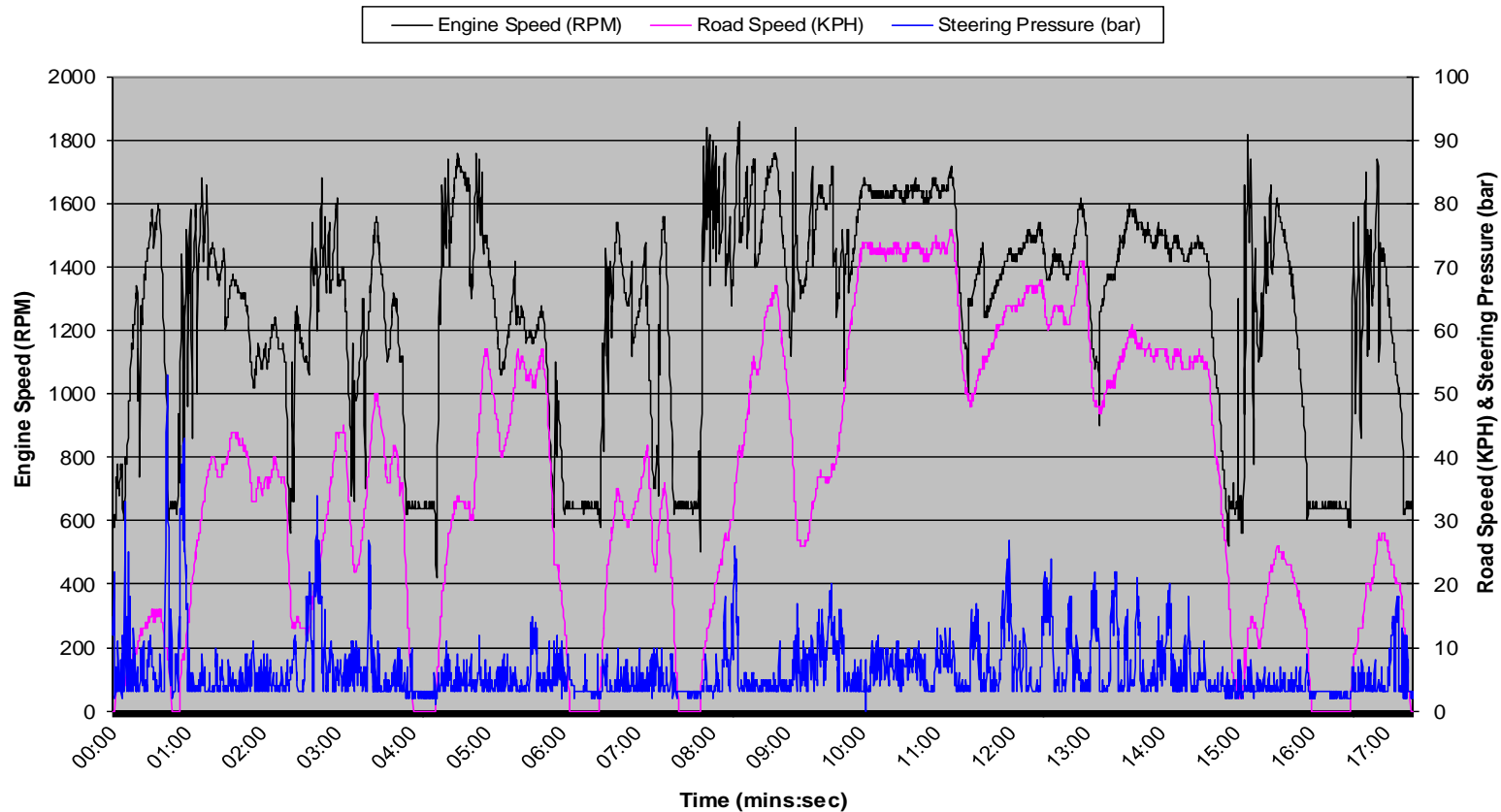
Combined Motor/pump

- Stackable on/off pump/motor assembly for REPTO-REGEN and hydraulic power available for multifunction applications.
- This assembly is mounted directly onto the rear engine PTO.
- Regeneration has digital variable braking control with 3 pumping sections available for regeneration we have seven combinations of braking.



Power Regeneration

Hybrid Truck Power - City Driving Data (Full Load)

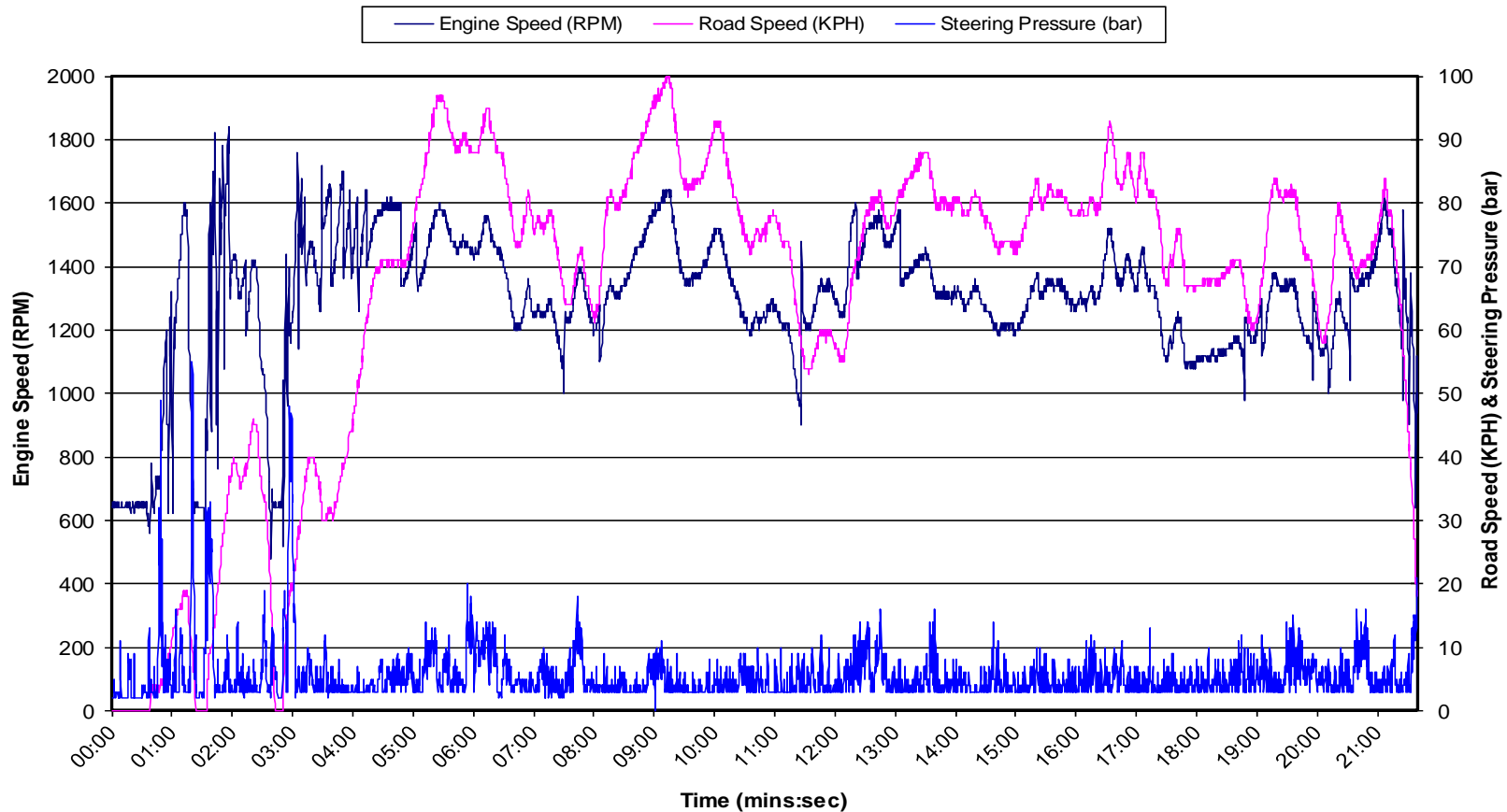


The following graph is typical of a loaded rigid truck and dog operating in suburban Brisbane in light to moderate traffic and illustrates the amount of potential recoverable braking energy. Not all decreases in speed are braking as the vehicle may be travelling up an incline and maintaining or increases in speed can be under braking down a decline. In 17 minutes we have approximately 17 opportunities to capture Kinetic energy. Note: The Mathers system does not require the vehicle to stop, only be braking to capture energy.



Power Regeneration

Hybrid Truck Power - Highway Driving Data (Full Load)



The following graph is the same vehicle on major roads/highways in the same traffic conditions. We have again approximately 17 opportunities to capture braking energy. Braking effort (storable energy) at high speed is greater than at low speeds and a portion of this can be captured and re-used. The higher the mass of the vehicle the more energy required to decelerate and accelerate. A low mass vehicle offers less storable energy, but requires less energy to accelerate.



Power Regeneration

Hydraulic power storage and recovery data

	Value	Unit
Truck Weight	24,000	kg
Overall Efficiency	100	%
Initial Speed		
Initial Speed	100	kph
Final Speed	80	kph
Retard/Acc (Time)	12	Seconds
Retard/Acc (Distance)	300	m
Energy	3333	KJ
Fuel	21.3	cc
Power for time period	278	KW
Initial Speed		
Initial Speed	20	kph
Final Speed	0	kph
Retard/Acc Time	12	Seconds
Retard/Acc Distance	33	m
Energy	370	KJ
Fuel	0.2	cc
Power for time period	31	KW



Power Regeneration

Hydraulic power storage and recovery data

Mump Size	cc/rev
45MFSV	193
35MFSV	121
Total	314

Hydraulic Braking	Kw
Maximum braking power	207
Average braking power	131
Minimum braking power	55

Brake Energy Storage	Unit
Engine speed	1200 rpm
Pump Shaft speed	1320 rpm
Step up ratio :1	1.1
Pump flow	414 L/m

Energy Regeneration	Nm
Maximum torque (Initial)	1645
Average torque	1042
Low torque	439
	Unit
Time to exhaust stored energy	14 sec
Power added in "Time" Kw	144 Kw



Power Regeneration

Hydraulic power storage and recovery data

Accumulator Storage	
Accumulator pressure high	300 bar
Accumulator pressure average	190 bar
Accumulator pressure low	80 bar
Accumulator useable volume	100lt
Energy stored	32 Kw/min
Time to charge accumulator	14 sec

Potential energy recovery	
Number of regeneration events per hour	40 events/hr
Potential power	23 Kw/hour
Efficiency Percent as decimal	0.6 %
Expected power per hour recovered	14 Kw/hr

